

**canfield connector**  
8510 Foxwood Court  
Youngstown, Ohio 44514  
P:(330) 758-8299 F:(330) 758-8912  
www.canfieldconnector.com

## 5JGT SERIES



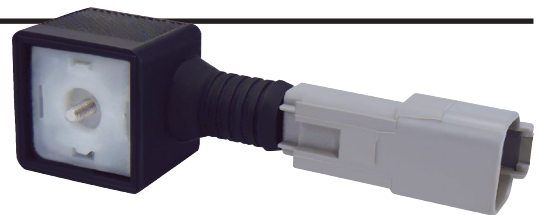
## DIN TO GT ADAPTER

### General Description

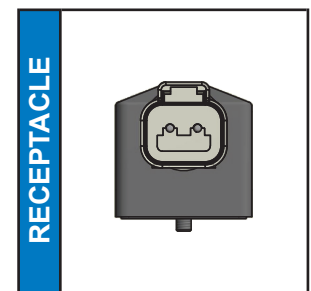
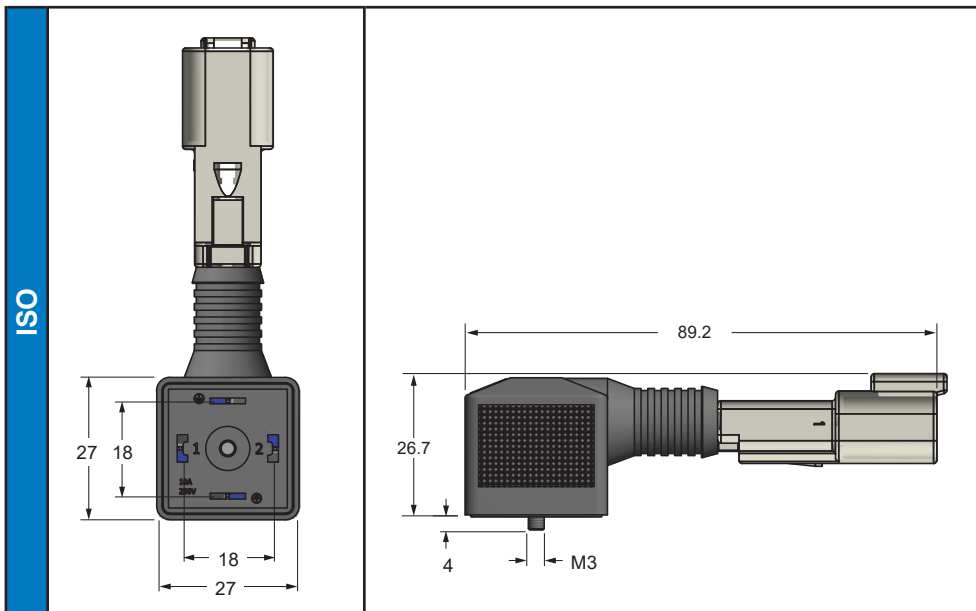
The GatorMate™ brand of electrical connectors from Canfield Connector are as tough as their name. This innovative rugged 5JGT connector marries our popular fully molded 5J connector to the Deutsch style GT 2 Pin Receptacle connector, exceeding expectation. The over-molded 5JGT mobile hydraulic DIN 43650 Form "A" to GT DT04-2P Adapter/connector solution is designed for use with hydraulic valves to facilitate connection to the DT06 mating connector. The connector is available with indicator lights and surge suppression and unlighted black or grey housing for "A" and "B" solenoids. All standard voltages are available and the housing is IP67 environment rated. The product is designed to adapt DIN 43650 Form "A" solenoid coils to the GT connector found in many mobile hydraulic solenoid valve applications. Proudly made in the U.S.A.

### Dimensional Data

ALL DIMENSIONS ARE IN MILLIMETERS UNLESS OTHERWISE NOTED



ISO, Unlighted version  
shown above



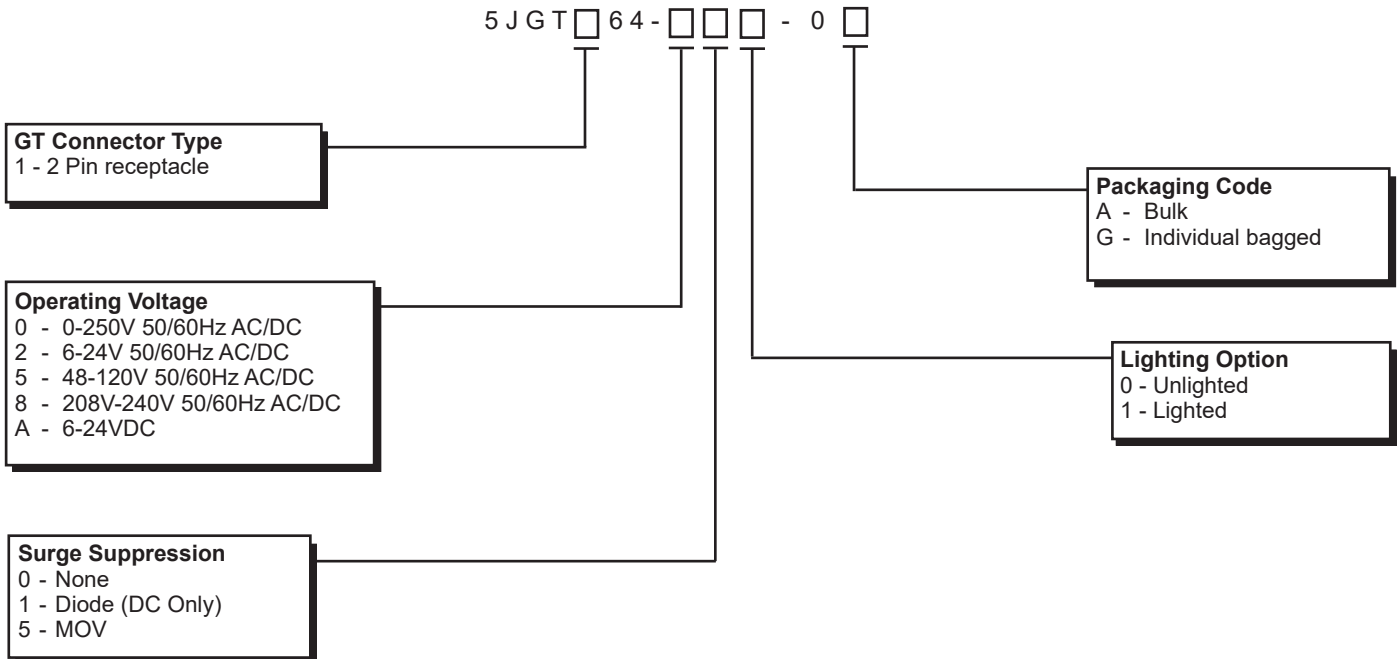
## Technical Data

<b>Ambient Rated Temperatures</b>	-25° to +80°C
<b>Environmental Protection</b>	IP 67 AND NEMA 6
<b>Materials</b>	DIN Form A: TPU DT04: Thermoplastic, silicone seal
<b>Pin Configuration</b>	2 connections
<b>Rated Current Maximum</b>	10 AMPS
<b>Rated Voltage Maximum</b>	250 VAC 50/60 Hz, 300 VDC
<b>Size</b>	DIN Form "A" (ISO), EN175301-803:2006

Note: Slight discoloration may occur to translucent material after prolonged exposure to UV rays.

## Ordering Information

All connectors come standard with integrated gasket.



**Ordering Example:** 5JGT164-000-0A

2 Pin receptacle, 0-250V 50/60Hz AC/DC,  
No Suppression, Bulk