

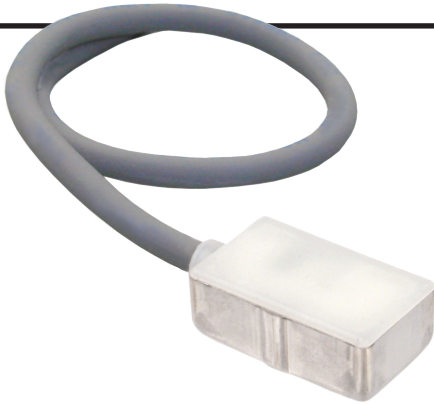
canfield connector
8510 Foxwood Court
Youngstown, Ohio 44514
(330) 758-8299 Fax: (330) 758-8912
www.canfieldconnector.com

SERIES 8WF

WELD FIELD IMMUNE ELECTRONIC SENSORS FOR ROUND, TIE-ROD, OR EXTRUDED CYLINDERS

General Description

The Canfield Connector Series 8WF weld field immune electronic sensors are compact magnetic sensors designed for sensing position magnetic pistons on pneumatic actuators while ignoring electro-magnetic pulses generated from AC weld fields. Designed for round type cylinders with diameters from 9/16" - 4" and tie-rod type cylinders from 3/4" - 8" bore, the 8WF features a rugged stainless steel and nylon enclosure and high current capacity up to 0.2 Amps and 24VDC input. Included in the sensor is a high intensity indicator light that can be seen from a wide viewing angle. The sensor's small package can fit easily on the smallest cylinder without appearing too large. The Series 8WF design promotes ease of installation with a tight fit. Options include 9ft. PVC or 8mm quick connect male pigtail.



Features

- Extremely consistent repeatability
- Compact design
- Reverse polarity protection
- Wide voltage range
- Compatible with IS (Intrinsically Safe) barriers
- High intensity light (LED) standard on most models
- Compatible with most corrosive and washdown applications
- High current capacity for small size (up to 10 times the competition)
- Encapsulated circuit for wet environment

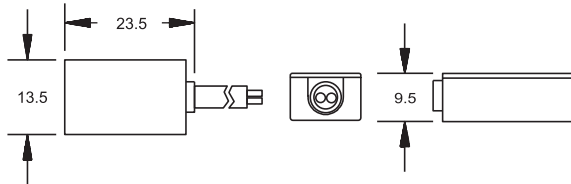
Technical Data

- Temperature Range: Operational from -20° to +80°C
- Sensitivity and orientation: 85 gauss parallel (standard minimum required for proper operation, as measured on sensor surface. Size of sensing area depends on size and strength of magnet and thickness of cylinder wall)
- Most versions designed to meet NEMA 4/IP65 specifications
- Minimum magnetic field application time to activate output - 15m sec.

Dimensional Data

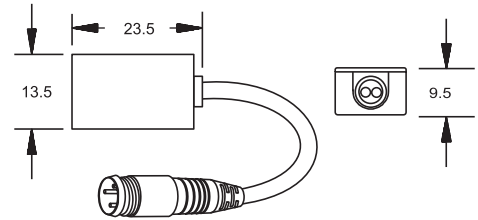
ALL DIMENSIONS ARE IN MILLIMETERS UNLESS OTHERWISE NOTED

9 ft PVC Cable Switch
Type 0

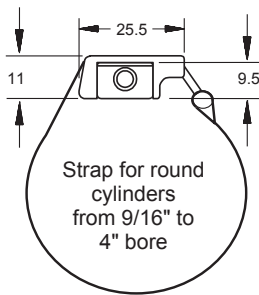


9 ft, 24 gauge PVC cable standard

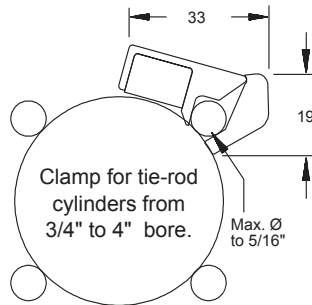
8mm Quick Connect Male Pigtail
Type 1



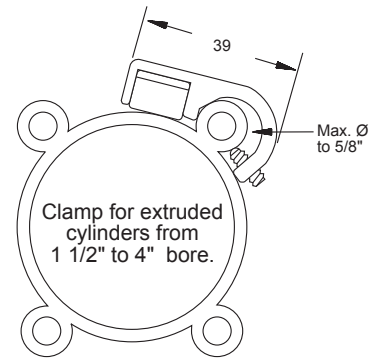
Clamp Styles



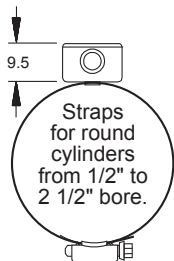
**Standard
Round Cylinder
Universal Clamp
(Style 0)**



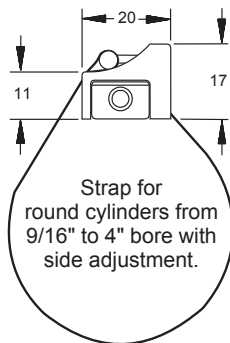
**Standard
Tie-Rod
Cylinder Clamp
(Style 2)**



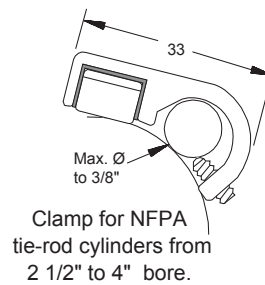
**Extruded
Cylinder Clamp
(Style 3)**



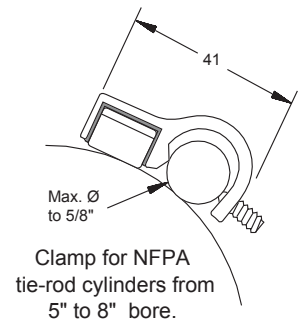
**Low-Profile
Round Cylinder Clamp
(Style 5-9)**



**Side Adjust
Round Cylinder Clamp
(Style A)**



**NFPA Tie-Rod
Cylinder Clamp
(Style B)**



**NFPA Tie-Rod
Cylinder Clamp
(Style C)**

Ordering Information

8WF10-□□□□

Clamp Styles

- 0 - Universal round cylinder clamp
- 1 - No clamp
- 2 - Universal tie-rod clamp
- 3 - Extruded cylinder clamp
- 5 - Clamp loop / no clamp***
- 6 - Clamp loop / 1/2" - 3/4" clamp
- 7 - Clamp loop / 1" - 1 1/2" clamp
- 8 - Clamp loop / 1 1/2" - 2" clamp
- 9 - Clamp loop / 2" - 2 1/2" clamp
- A - Side adjust round cylinder clamp
- B - NFPA 2 1/2" - 4" tie-rod cylinder clamp
- C - NFPA 5" - 8" tie-rod cylinder clamp

***Uses 5/16" wide band clamp

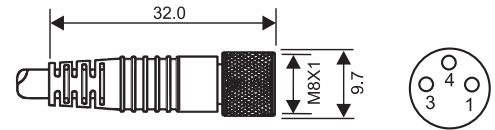
Connection Options

- 0 - 9 ft PVC cable
- 1 - 8mm quick connect male pigtail*

*Mates with cordsets shown at right.

Mating Cordsets

8mm female molded locking connectors



Order part number

Brown = Pin 1
Blue = Pin 3
Black = Pin 4

RC08S-F0M030120 (2m length)
RC08S-F0M030150 (5m length)

Type	Description	Function	Switching Voltage	Switching Current	Switching Power	Voltage Drop	Magnetic Sensitivity
31	Electronic for Reed Magnet, LED & Sourcing	Normally Open PNP	6 - 24 VDC	0.2 Amps Max.	4.8 watts Max.	1 Volts	85 Ga.
32	Electronic for Reed Magnet, LED & Sinking	Normally Open NPN	6 - 24 VDC	0.2 Amps Max.	4.8 watts Max.	1 Volts	85 Ga.

Ordering Example:

8WF10-000-031

Universal round cylinder clamp, 9ft PVC cable,
Electronic for Reed Magnet, LED & Sourcing,
Normally Open, 6-24 VDC