

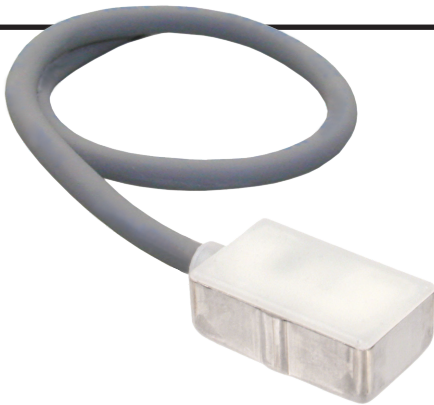
canfield connector
8510 Foxwood Court
Youngstown, Ohio 44514
(330) 758-8299 Fax: (330) 758-8912
www.canfieldconnector.com

SERIES 8000

REED & ELECTRONIC SENSORS FOR ROUND, TIE-ROD, OR EXTRUDED CYLINDERS

General Description

The Canfield Connector Series 8000 Reed and Electronic sensors are compact units designed for sensing applications on round cylinders from 9/16" - 4" and tie-rod pneumatic cylinders from 3/4" - 8" bore. These sensors offer a wide voltage range from 0-120 VAC/VDC 50/60 Hz and high current capacity up to 0.5 Amps. They include high intensity indicator lights and a wide viewing angle. The sensor's small package can fit easily on the smallest cylinder without appearing too large. The Series 8000's design promotes ease of installation with a tight fit. Options include 9ft. PVC or 8mm quick connect male pigtail.



Features

- Extremely consistent repeatability
- Compact design
- Surge suppression available (standard on electronic)
- Reverse polarity protection
- Wide voltage range
- Compatible with IS (Intrinsically Safe) barriers
- High intensity light (LED) standard on most models
- Compatible with most corrosive and washdown applications
- High current capacity for small size (up to 10 times the competition)
- Both reed and electronic versions work with the same (reed) magnet
- Encapsulated circuit for wet environment

Technical Data

- Temperature Range: Operational from -20° to +80°C
- Shock: Operational up to 30G (11 ms.) reeds only. Not applicable for electronic
- Vibration: Operational up to 20G (10 - 55 Hz) reeds only. Not applicable for electronic
- Sensitivity and orientation: 85 gauss parallel (standard minimum required for proper operation, as measured on sensor surface. Size of sensing area depends on size and strength of magnet and thickness of cylinder wall)
- Most versions designed to meet NEMA 4/IP65 specifications

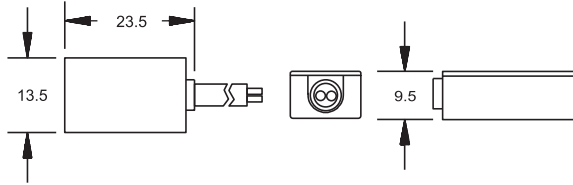


Consult factory for available versions listed by Canadian Standards Association for use with certified electrical equipment.

Dimensional Data

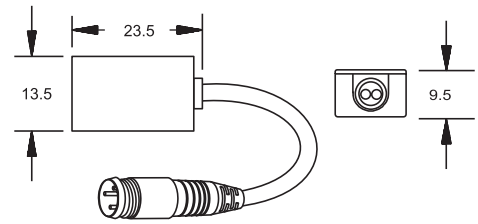
ALL DIMENSIONS ARE IN MILLIMETERS UNLESS OTHERWISE NOTED

9 ft PVC Cable Switch
Type 0

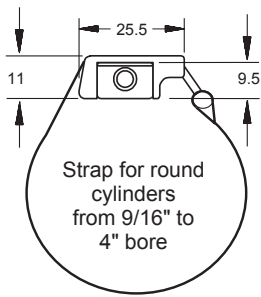


9 ft, 24 gauge PVC cable standard

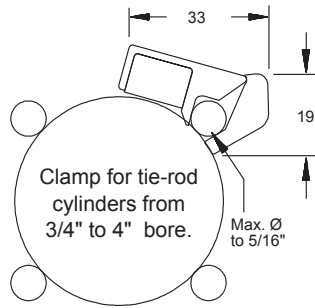
8mm Quick Connect Male Pigtail
Type 1



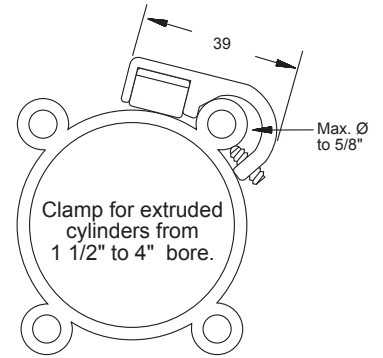
Clamp Styles



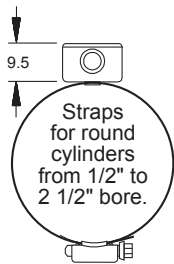
**Standard
Round Cylinder
Universal Clamp
(Style 0)**



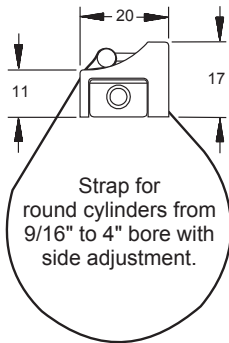
**Standard
Tie-Rod
Cylinder Clamp
(Style 2)**



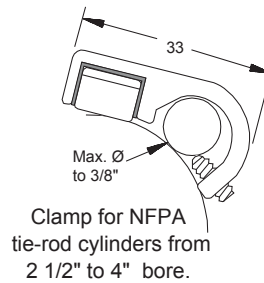
**Extruded
Cylinder Clamp
(Style 3)**



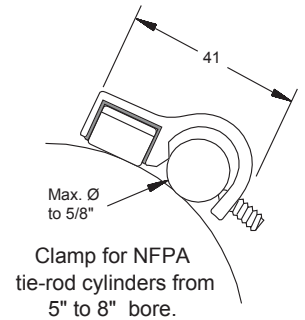
**Low-Profile
Round Cylinder Clamp
(Style 5-9)**



**Side Adjust
Round Cylinder Clamp
(Style A)**



**NFPA Tie-Rod
Cylinder Clamp
(Style B)**



**NFPA Tie-Rod
Cylinder Clamp
(Style C)**

Ordering Information

Clamp Styles

- 0 - Universal round cylinder clamp
- 1 - No clamp
- 2 - Universal tie-rod clamp
- 3 - Extruded cylinder clamp
- 5 - Clamp loop / no clamp***
- 6 - Clamp loop / 1/2" - 3/4" clamp
- 7 - Clamp loop / 1" - 1 1/2" clamp
- 8 - Clamp loop / 1 1/2" - 2" clamp
- 9 - Clamp loop / 2" - 2 1/2" clamp
- A - Side adjust round cylinder clamp
- B - NFPA 2 1/2" - 4" tie-rod cylinder clamp
- C - NFPA 5" - 8" tie-rod cylinder clamp

***Uses 5/16" wide band clamp

Connection Options

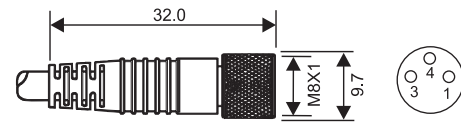
- 0 - 9 ft PVC cable
- 1 - 8mm quick connect male pigtail*

*Mates with cordsets shown at right.

8 1 0 - 0 0 -

Mating Cordsets

8mm female molded locking connectors



Order part number

Brown = Pin 1
Blue = Pin 3
Black = Pin 4

RC08S-F0M030120 (2m length)
RC08S-F0M030150 (5m length)

| Type | Description | Function | Switching Voltage | Switching Current | Switching Power | Voltage Drop | Magnetic Sensitivity |
|------|--------------------------------------------|--------------------|-------------------|------------------------------------|-----------------|--------------|----------------------|
| 01 | Reed Switch | Normally Open SPST | 0 - 120V AC/DC | 0.5 Amps Max. | 10 watts Max. | 0 Volts | 85 Ga. |
| 02 | Reed Switch & LED | Normally Open SPST | 5 - 120V AC/DC | 0.025 Amps Max. 0.001 Amps Min. | 3 watts Max. | 6.0 Volts | 85 Ga. |
| 04 | Reed Switch, LED & MOV | Normally Open SPST | 5 - 120V AC/DC | 0.5 Amps Max. 0.005 Amps Min. | 10 watts Max. | 3.0 Volts | 85 Ga. |
| 31 | Electronic for Reed Magnet, LED & Sourcing | Normally Open PNP | 6 - 24 VDC | 0.3 Amps Max. | 7.2 watts Max. | .5 Volts | 85 Ga. |
| 32 | Electronic for Reed Magnet, LED & Sinking | Normally Open NPN | 6 - 24 VDC | 0.3 Amps Max. | 7.2 watts Max. | .5 Volts | 85 Ga. |

Ordering Example:

810-000-002

Universal round cylinder clamp, 9ft PVC cable, reed switch with LED, SPST, normally open, 5 - 120V AC/DC

For convenience and faster shipping, this series is available in Can-Paks.

