

canfield connector
 8510 Foxwood Court
 Youngstown, Ohio 44514
 (330) 758-8299 Fax: (330) 758-8912
 www.canfieldconnector.com

SERIES 5FMSD

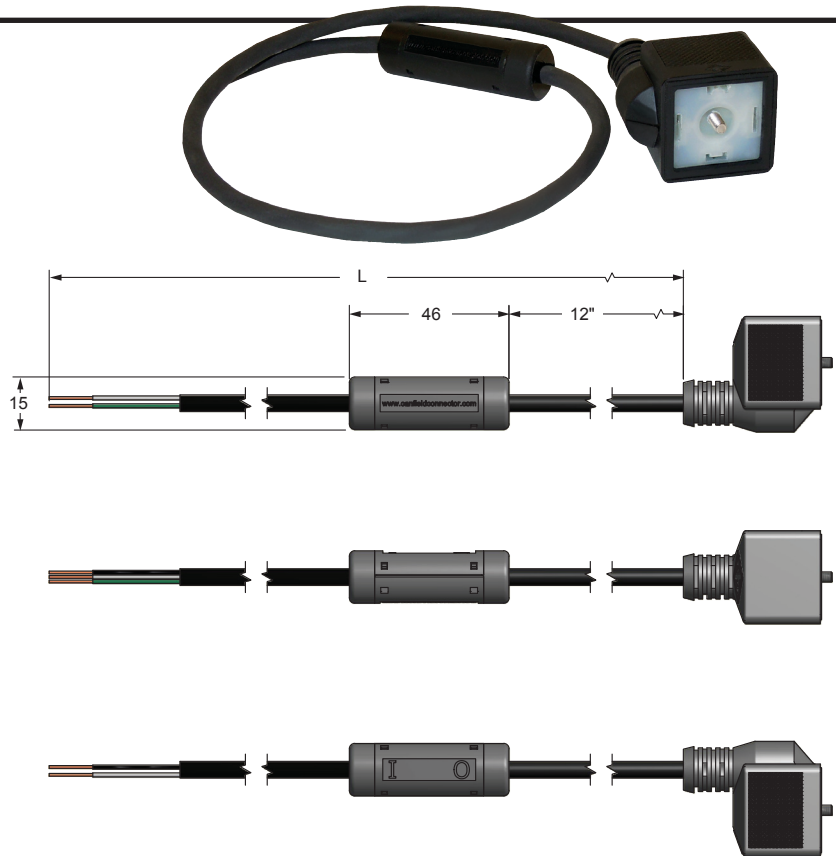
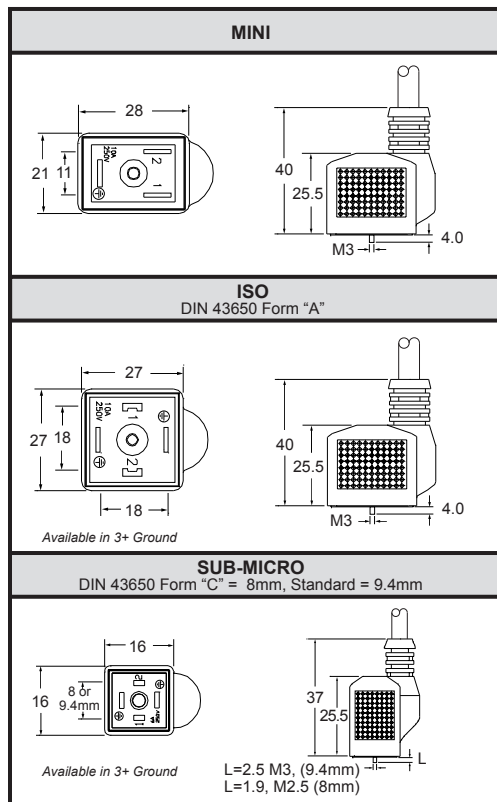
MOLDED SOLENOID VALVE CONNECTORS WITH IN-LINE MICRO SOLENOID DRIVER POWER CONVERTER

General Description

The Canfield Connector Series 5FMSD is a solenoid driver circuit (Coil Saver) tucked away in our all new in-line electronics package coupled with our 5F all-molded DIN solenoid valve connector/gasket/cord assembly for DIN 43650 Form A, Industry and Form C Solenoid Valve Connectors (EN 175301-803-2000). The integrated gasket design boasts an IP67/NEMA 6 rating and makes it impossible to lose the gasket. Made from rugged yet flexible polyurethane, the connector housing boasts high durability factors and application versatility. The Coil Saver enhances solenoid valve function as it lowers the wattage of solenoid operators of solenoid valves as it first applies a full voltage to ensure strong pull-in then drops the current when the solenoid magnetic circuit is most efficient and lowers wattage during long term energization or repeated cycles and lower RMS wattage. Both the in-line Coil Saver package and the 5F are fully encapsulated enclosures. This design allows for the Coil Saver to be isolated from the heat of the solenoid as well as installed upstream, away from the coil connector that is designed for this heat. The DC voltage version is 46mm by 15mm cylinder and is IP68 fully sealed from dust and water ingress. The in-line package can control input DC voltage and supplies PWM DC to the coil. The low profile "straight-line" interface/cord configuration allows for installation in many limited space applications. The Series 5FMSD is Proudly Made in the U.S.A.

Dimensional Data

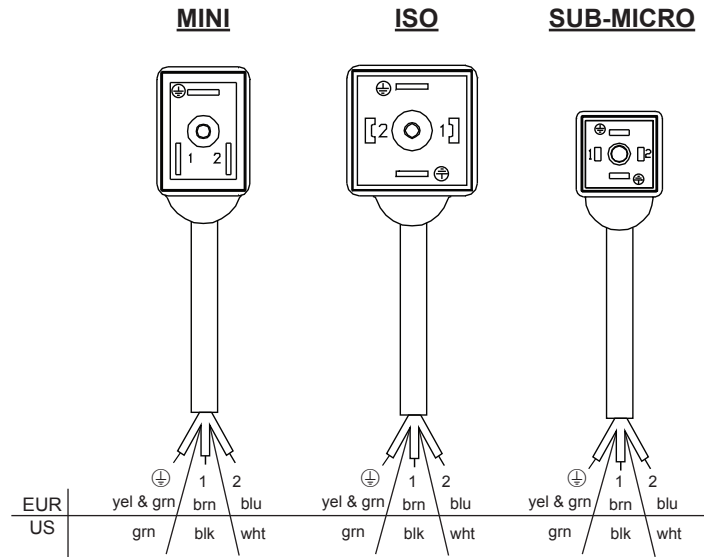
ALL DIMENSIONS ARE IN MILLIMETERS UNLESS OTHERWISE NOTED



Technical Data

- Color: Black Polyurethane standard.
- Cable types: Black PVC. Other materials available upon request
- Wire: 20/3
- MSD Module: Housing Materials - PA and Polyurethane
- Maximum Input Voltage Tolerance: 10%
- Input Voltage: 12-24 VDC
- Output Voltage: 10-70% Fixed of Input Voltage
- Peak Output Voltage: Supply $-5V$
- Max. Output Current: 8 Amps Inrush for 50ms / 1 Amp Holding
- Max. Allowable Input DC Ripple: 20% Peak to Peak
- Ambient rated temperatures: -20° to $+80^{\circ}C$
- Environment protection: NEMA 6
- Available in four sizes:
 - DIN 43650 Form "A" (ISO), EN175301-803:2000
 - DIN Form "C" (Sub-Micro 8mm), EN175301-803:2000
 - Industry standard (Sub-Micro 9.4mm pin spacing)
 - Industry standard (Mini 11mm pin spacing)
- Pin configurations: For single solenoid valves, 2 connections plus ground, Mini, ISO, Sub-Micro 8mm and Sub-Micro 9.4mm

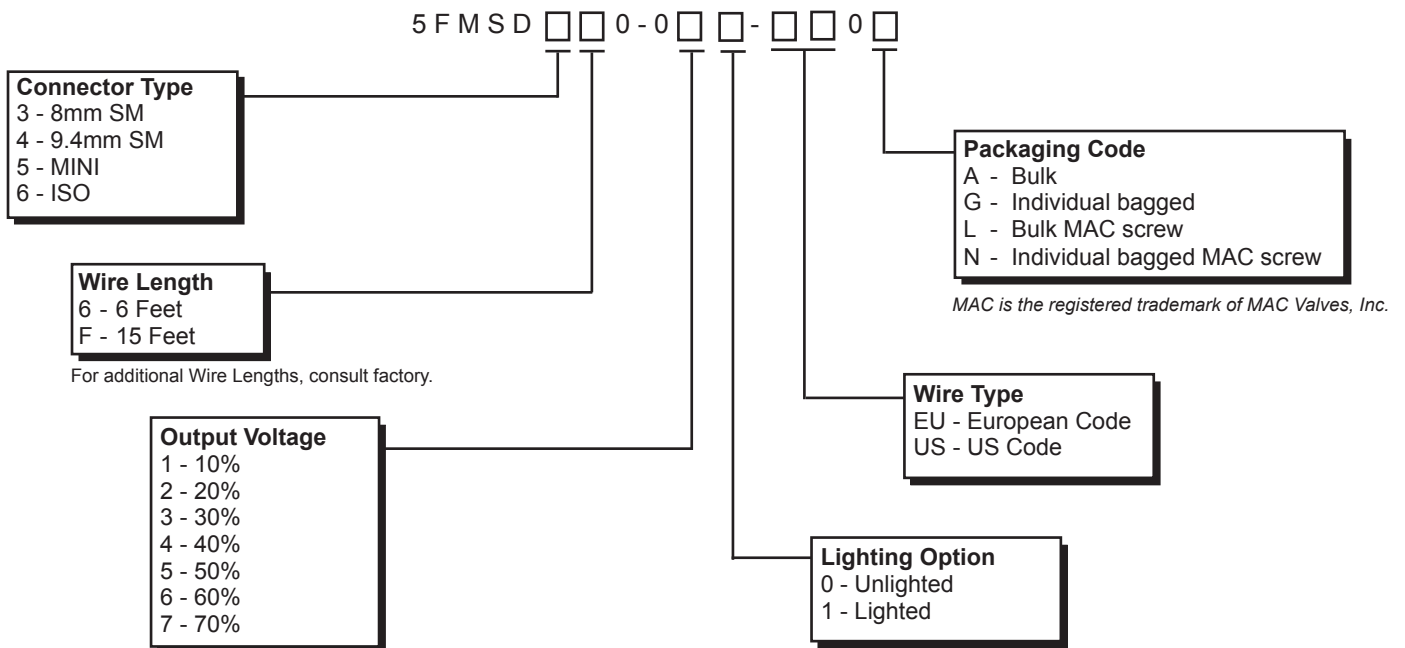
Wiring Information



Normal polarity: 1 = (+) Positive
 2 = (-) Negative
 ⊕ = Chassis Ground

All connectors come standard with integrated gasket.

Ordering Information



Ordering Example:

5FMSD360-010-EU0A

8mm SM, 6Ft, 10% Output Voltage,
 Unlighted, European Wire Type, Bulk