

**canfield connector**  
 8510 Foxwood Court  
 Youngstown, Ohio 44514  
 P:(330) 758-8299 F:(330) 758-8912  
 www.canfieldconnector.com

5  
K

**SERIES 5K**

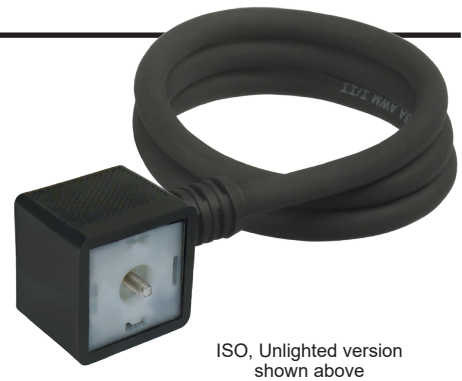
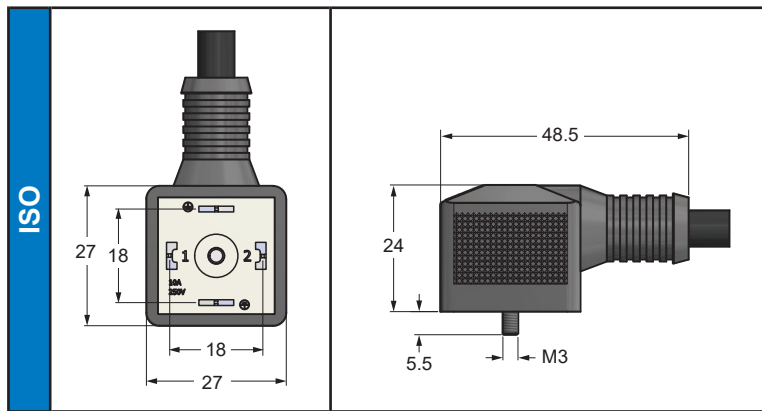
**LIGHTED AND LOAD SUPPRESSED MOLDED ISO SOLENOID VALVE CONNECTORS**

**General Description**

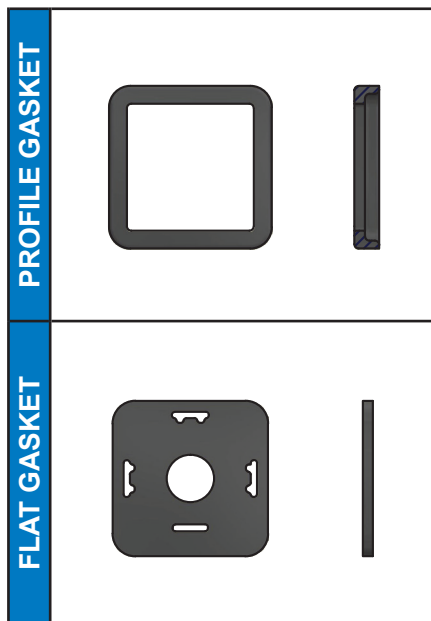
The Canfield Connector Series 5K DIN solenoid valve connector all molded cord assembly offers a rugged one-piece design that is far better for environmental integrity than field wire solenoid valve connectors. Made from rugged yet flexible polyurethane, the connector housing boasts high durability factors and application versatility. The low profile "straight-line" interface/cord configuration allows for installation in many limited space applications. The Series 5K is different than the Series 5J version and is offered without the integrated gasket design in order to promote version compatibility as with the Canfield Connector Series MCCR and iLW. The Series 5K boasts an IP67/NEMA 6 rating when gasket is applied. The Series 5K as well as the Series 5F and Series 5J are the only molded valve connectors in the industry that feature a Hard Usage cord option in any length required, bi-directional indicator lights, and load suppression (not intended for UL 1449), and is Proudly Made in the U.S.A.

**Dimensional Data**

ALL DIMENSIONS ARE IN MILLIMETERS UNLESS OTHERWISE NOTED



ISO, Unlighted version shown above

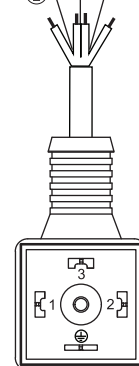


**Wiring Information**

Ground Down shown below. Other versions available.

- Normal polarity:
- 1 = (+) Positive, Hot
  - 2 = (-) Negative, Neutral
  - ⊕ = Chassis Ground

US	grn	blk	wht	red
HU		brn	blu	blk
EUR	yel & grn	⊕	1	2 3



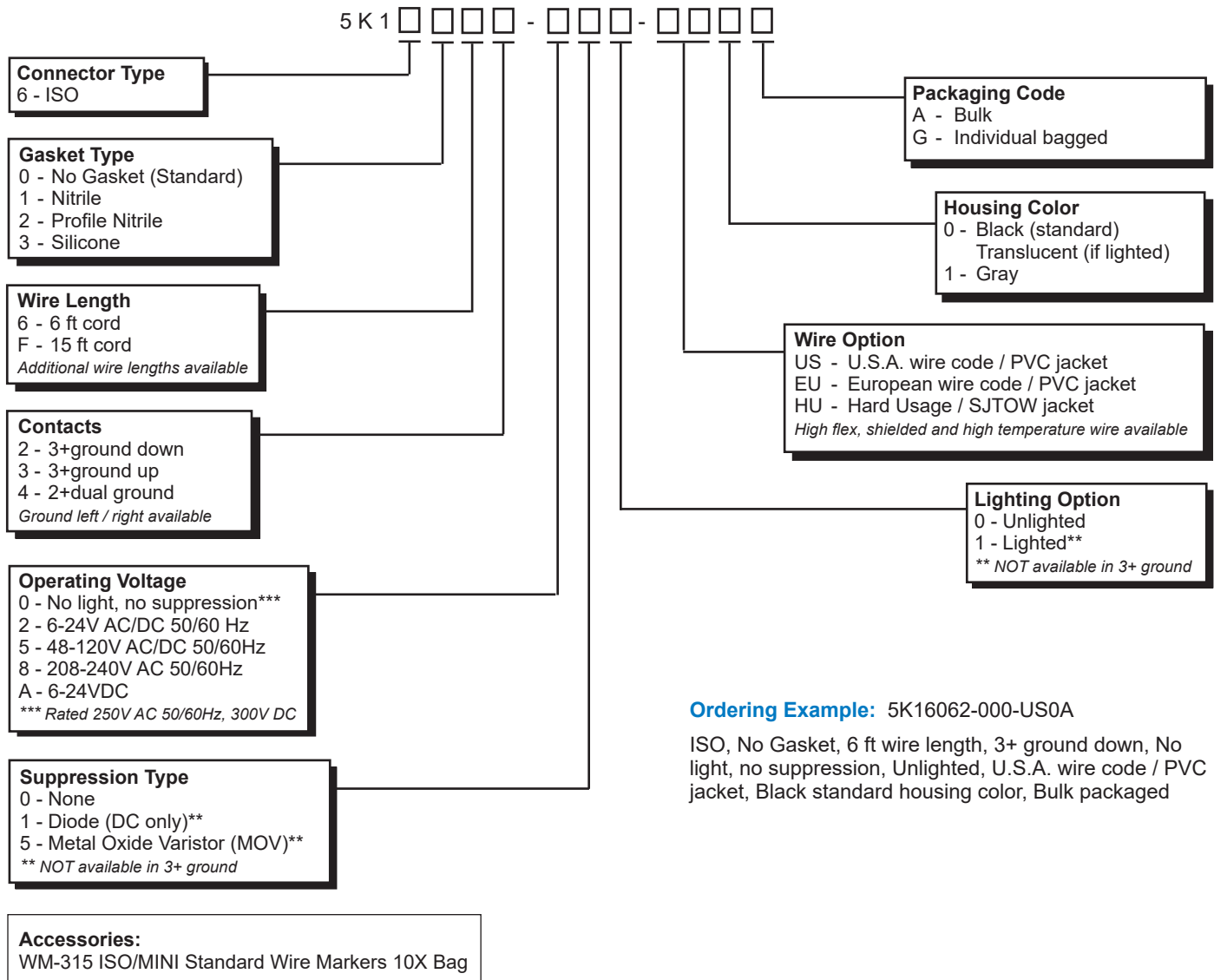
**ISO**

## Technical Data

<b>Ambient Rated Temperatures</b>	-25° to +80°C
<b>Cable Conductor Colors</b>	EU Code: Blue, brown, yellow/green (4th conductor version black) US Code: Black, green, white (4th conductor version red) (Others available on request)
<b>Cable Type</b>	Pressure extruded PVC jacket Hard usage cordage "S" type with SJTOW standard PVC jacket (Others available on request)
<b>Cross Section of Conductor Wire Maximum</b>	18 AWG standard
<b>Environmental Protection</b>	IP 67 AND NEMA 6, Dust tight and water resistant (with gasket)
<b>Materials</b>	Enclosure: Polyurethane Gasket: Nitrile, Silicone
<b>Pin Configuration</b>	2 connections plus ground 3 connections plus ground
<b>Rated Current Maximum</b>	10 AMPS
<b>Rated Voltage Maximum</b>	250 VAC 50/60 Hz, 300 VDC
<b>Size</b>	DIN Form "A" (ISO), EN175301-803:2006 (with gasket)

Note: Slight discoloration may occur to translucent material after prolonged exposure to UV rays.

## Ordering Information



**Ordering Example:** 5K16062-000-US0A

ISO, No Gasket, 6 ft wire length, 3+ ground down, No light, no suppression, Unlighted, U.S.A. wire code / PVC jacket, Black standard housing color, Bulk packaged